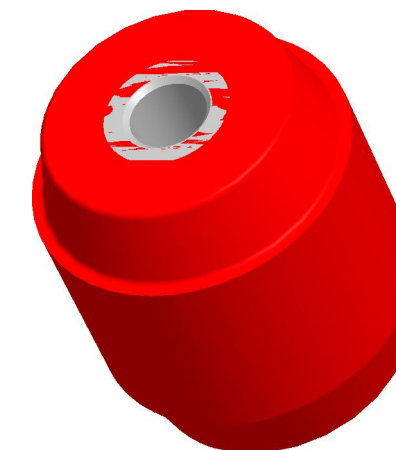
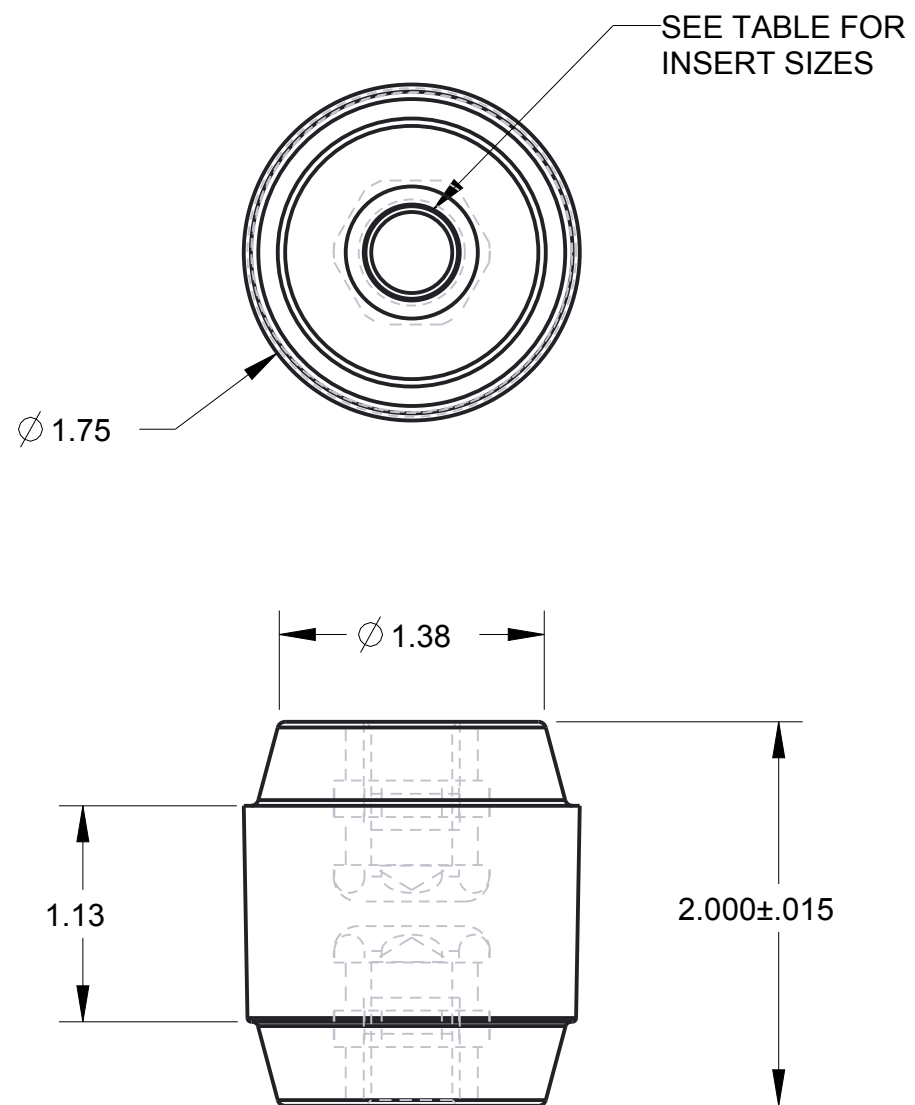


REVISIONS			
REV	DESCRIPTION	BY	DATE
1	REMOVED A4/S4 OPTIONS	MM	01/04/16



OVER SURFACE SPACING  
(CREEP DISTANCE) = 2.125"

<b>AVAILABLE THREADS</b>		
<b>UNC THREAD STYLES</b>		
PART NUMBER	INSERT SIZE	MATERIAL
R4200-A3	5/16-18 X 3/8	ALUMINUM
R4200-A5	3/8-16 X 9/16	ALUMINUM
R4200-S5	3/8-16 X 9/16	STEEL
<b>METRIC THREAD STYLES</b>		
R4200-A3/M8	M8 X 1.25 X 9.5	ALUMINUM
R4200-A5/M10	M10 X 1.50 X 14.2	ALUMINUM
R4200-S5/M10	M10 X 1.50 X 14.2	STEEL

BRASS INSERTS AND OTHER INSERT SIZES AND COMBINATIONS ARE AVAILABLE UPON SPECIAL REQUEST

CONFIDENTIAL  
This print and the specifications are the property of Mar-Bal Inc. and has been issued with the understanding that it will not be reproduced, revealed to or used for manufacture for others, and will be returned upon request.

DATE: 06-AUG-2008

MAR-BAL, Incorporated 5400 Reserve Way Dublin, VA 24084 www.mar-bal.com	
TITLE <b>4000 SERIES ROUND INSULATORS</b>	
PART NUMBER:	SUGGESTED INDOOR RATING:
<b>R4200-XX</b>	<b>2.5 kV</b>
DATE: 06-AUG-2008	SHEET 1 OF 1
SCALE 1.000	